

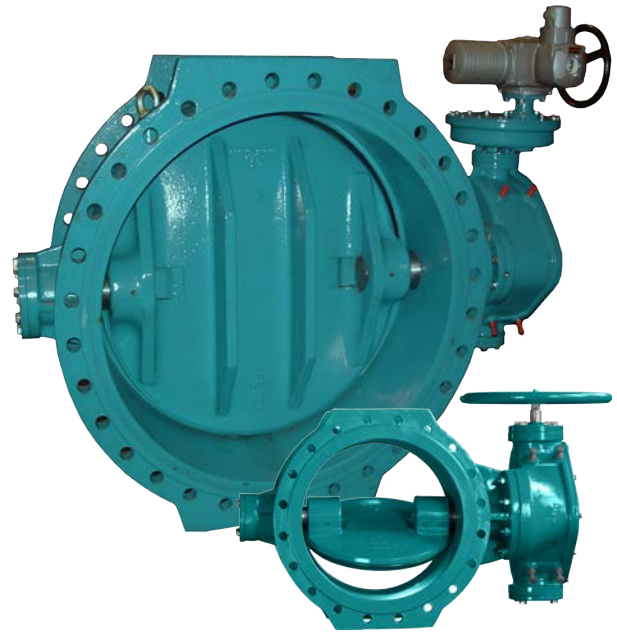
# LYSITHEA - Double eccentric butterfly valve DN400-2200 (3000)

## Description

The LYSITHEA is a double eccentric butterfly valve for all kind of water and other non aggressive fluids.

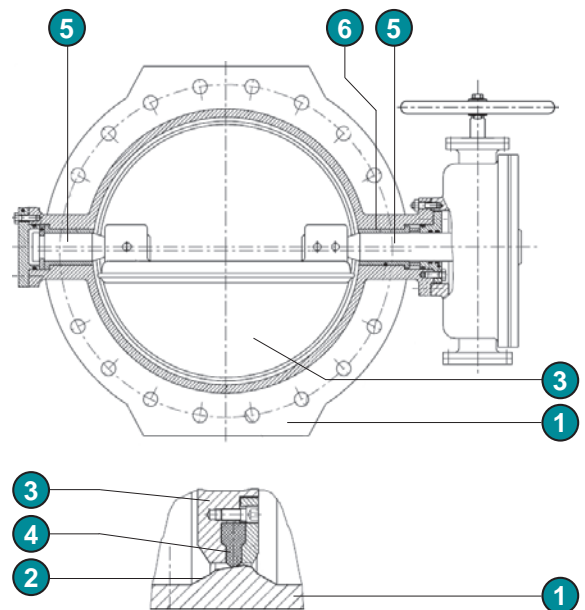
## Product features

	PN10/16	PN25	PN40
• Diameters	DN 400 - 2200 (DN 2400 - 3000 on request)	DN400-800 (DN 900 - 1200 on request)	DN400-800
• Face to face dimension	acc. to ISO 5752 series 14 (EN 558-1 series 14, DIN 3202 F4)	acc. to ISO 5752 series 14 (EN 558-1 series 14, DIN 3202 F4)	acc. to ISO 5752 series 15 (EN 558-1 series 15, DIN 3202 F5)
• Max. working pressure	10/16 bar	25 bar <70°C 16 bar <200°C	40 bar <70°C 25 bar <200°C
• Rating	PN10, PN16, ANSI cl.150	PN25, ANSI cl.300	PN40, ANSI cl.300
• Top flange	according to EN ISO 5211		
• Temperature range	90°C (EPDM), 200°C (FPM)		



## Material specification

Item	Description	Material	
1+3	Body + Disc	PN10/16/25	EN-GJS-400-15, GGG40
		PN40	S235JR, St37.2
2	Body seat surface	CrNi-Plasma	
4	Seat	EPDM, FPM	
5	Shaft	X20Cr13, 1.4021	
6	Bearing bush	CC480K, CuSn10	



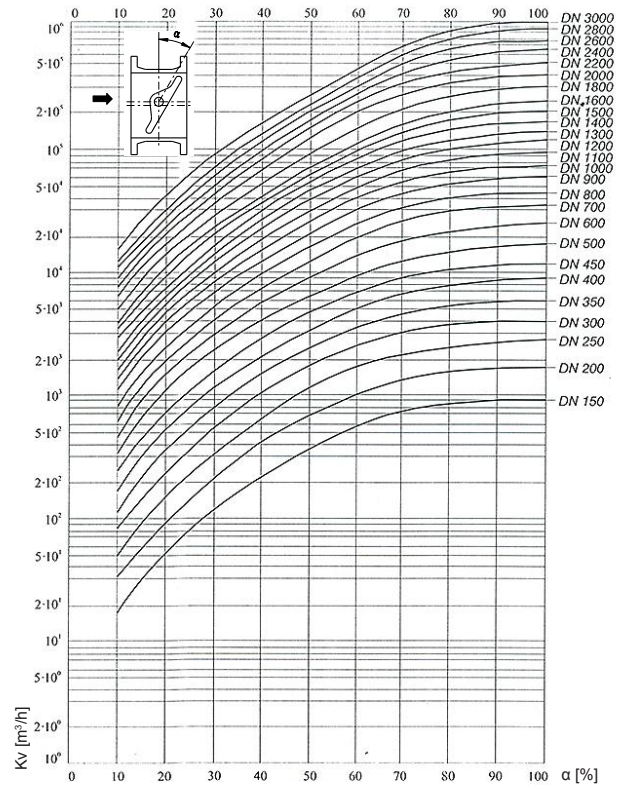
## Torques [Nm]

DN ->	400	450	500	600	700	800	900	1000	1100	1200	1400	1600	1800	2000	2200
PN10	1471	1872	2593	3907	5498	7926	10148	13467	17274	21797	32306	46829	64084	87231	112637
PN16	2148	2736	3800	5734	8054	11680	14939	19876	26935	32159	47681	69017	106340	140397	181990
PN25	3200	4600	5800	9500	14400	24000									
PN40	4950	6710	9240	15730	23980	38170									

# LYSITHEA - Double eccentric butterfly valve DN400-2200 (3000)

## Kv values [m³/h]

DN	PN10	PN16	PN25	PN40
400	12000	10700	8320	6240
450	16000	13500	10500	8060
500	20600	16700	13000	9950
600	29700	24100	18700	14300
700	40400	32800	25500	20600
800	52800	42800	33300	27600
900	66900	55000		
1000	82500	67900		
1100	99900	86300		
1200	119000	103500		
1400	162000	140300		
1600	211000	183500		
1800	280000	246600		
2000	354000	308000		
2200	440000	383000		



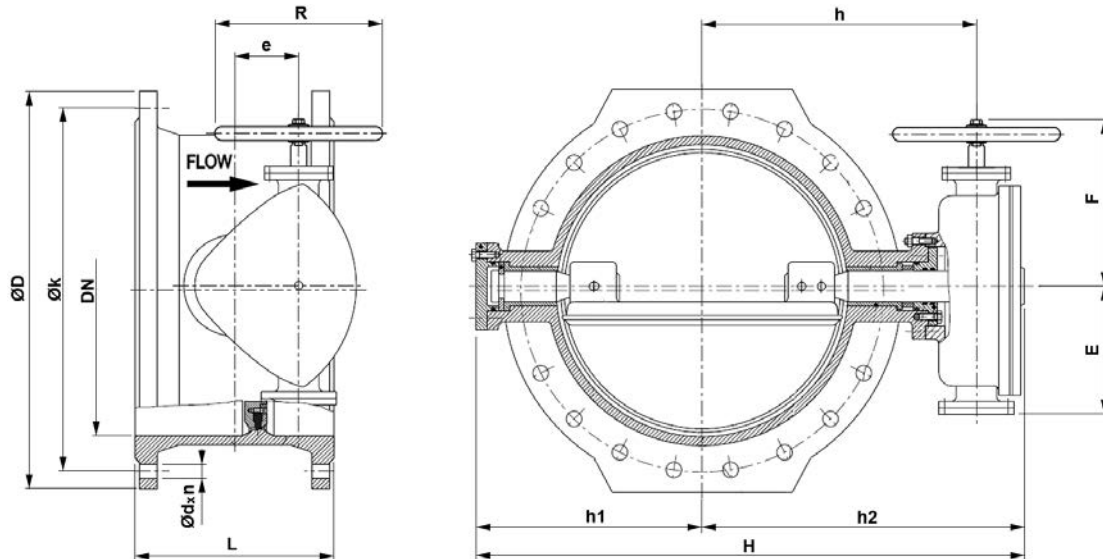
## Type code

<b>L6M</b>	<b>1000</b>	<b>3</b>	<b>3</b>	<b>- 2AR</b>	<b>4A</b>	<b>2AR</b>	<b>E</b>
<b>1</b>	<b>2</b>	<b>3</b>	<b>4</b>	<b>5</b>	<b>6</b>	<b>7</b>	<b>8</b>

<b>1</b> Type	<b>L6M</b>	Double eccentric butterfly valve LYSITHEA	
<b>2</b> Nominal diameter	<b>0400 - 2200</b>	mm	
<b>3</b> Working pressure	<b>2</b>	10 bar	DN400-2200
	<b>3</b>	16 bar	DN400-2200
	<b>5</b>	25 bar	DN400-800
	<b>6</b>	40 bar	DN400-800
<b>4</b> Rating	<b>2</b>	PN10	DN400-2200
	<b>3</b>	PN16	DN400-2200
	<b>5</b>	PN25	DN400-800
	<b>6</b>	PN40	DN400-800
<b>5</b> Body material	<b>2AR</b>	GGG40 / EN-GJS-400-15 (Resicoat 250 µm)	PN10/16/25
	<b>2AV</b>	GGG40 / EN-GJS-400-15 / EPDM lined (with WRAS approval)	PN10/16/25
	<b>3CR</b>	S235JR, St37.2, 1.0037 (Resicoat 250 µm)	PN40
<b>6</b> Shaft	<b>4A</b>	X20Cr13 / 1.4021 / AISI 420	
<b>7</b> Disc	<b>2AR</b>	GGG40 / EN-GJS-400-15 / GGG 40 (Resicoat 250 µm)	PN10/16/25
	<b>2AV</b>	GGG40 / EN-GJS-400-15 / GGG 40 EPDM lined (with ACS approval)	PN10/16/25
	<b>3CR</b>	S235JR, St37.2, 1.0037 (Resicoat 250 µm)	PN40
	<b>4C0</b>	Stainless steel 1.4408 / AISI 316	PN10/16/25
<b>8</b> Seat	<b>E</b>	EPDM (with WRAS approval)	
	<b>V</b>	FPM	

Other executions on request (DN2400-3000, other materials for body, disc and seat)

Dimensions PN10/16/25



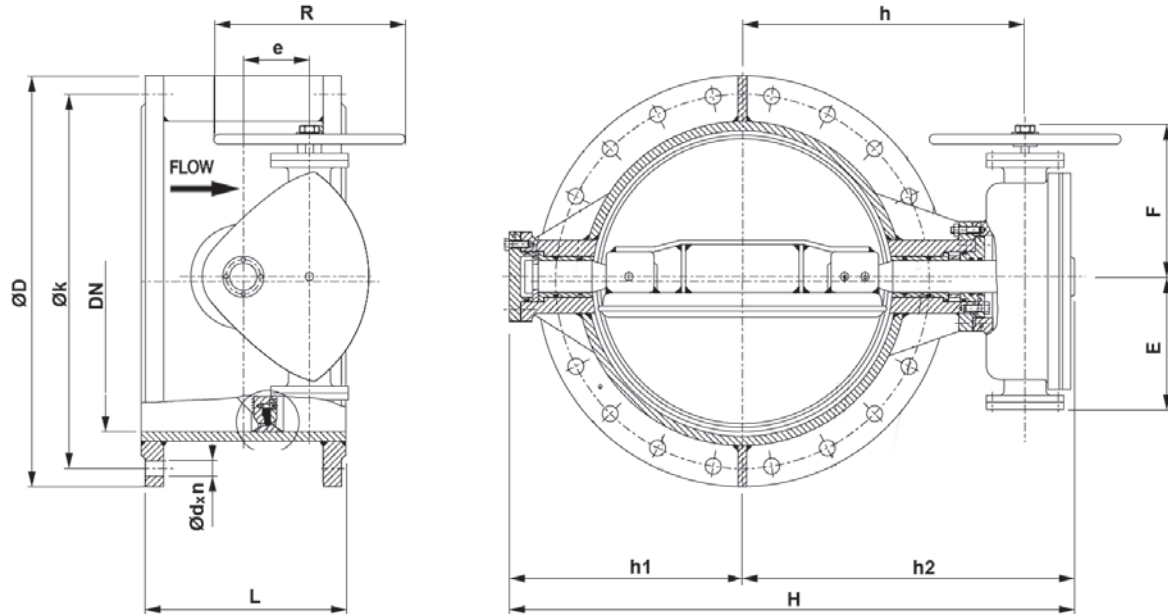
PN10	DN	L	D PN10	k x n x d PN10	E	F	e	h	h <sub>1</sub>	h <sub>2</sub>	H	R	ISO 5211	n *	kg PN10
	400	310	565	515x16x28	200	250	85	433	345	550	895	320	F12	28	228
	450	330	615	565x20x28	200	250	85	458	375	560	935	320	F14	28	285
	500	350	670	620x20x28	295	390	145	537	445	680	1125	500	F14	36	415
	600	390	780	725x20x31	295	390	145	597	515	745	1260	500	F16	36	566
	700	430	895	840x24x31	430	540	230	632	525	807	1332	640	F25	50	730
	800	470	1015	950x24x34	430	540	230	750	655	937	1592	640	F25	50	1020
	900	510	1115	1050x28x34	430	540	230	799	710	987	1697	640	F30	50	1350
	1000	550	1230	1160x28x37	430	540	230	865	760	1052	1812	640	F30	50	1790
	1100	590	1340	1270x32x37	430	540	230	765	810	1100	1910	640	F30	50	1920
	1200	630	1455	1380x32x41	430	540	230	810	855	1142	1997	640	F30	50	2070
	1400	710	1675	1590x36x44	375	830	400	983	975	1252	2227	640	F30	268	3600
	1600	790	1915	1820x40x50	375	830	400	1280	1100	1392	2492	640	F35	268	4700
	1800	870	2115	2020x44x50	375	830	400	1490	1280	1572	2852	640	F40	268	5600
	2000	950	2325	2230x48x50	330	785	440	1590	1390	1750	3140	640	F48	300	9200
2200	1030	2550	2440x52x56	330	785	440	1700	1490	1850	3340	640	F60	300	11500	

PN16	DN	L	D PN16	k x n x d PN16	E	F	e	h	h <sub>1</sub>	h <sub>2</sub>	H	R	ISO 5211	n *	kg PN16
	400	310	580	525x16x31	200	250	85	433	345	550	895	320	F12	28	251
	450	330	640	585x20x31	200	250	85	458	375	560	935	320	F14	28	314
	500	350	715	650x20x34	295	390	145	537	445	680	1125	500	F14	36	457
	600	390	840	770x20x37	295	390	145	597	515	745	1260	500	F16	36	623
	700	430	910	840x24x37	430	540	230	632	525	807	1332	640	F25	50	803
	800	470	1025	940x24x41	430	540	230	750	655	937	1592	640	F25	50	1122
	900	510	1125	1050x28x41	430	540	230	799	710	987	1697	640	F30	50	1485
	1000	550	1255	1170x28x44	430	540	230	865	760	1052	1812	640	F30	50	1969
	1100	590	1355	1270x32x44	430	540	230	765	810	1100	1910	640	F30	50	2112
	1200	630	1485	1390x32x50	430	540	230	810	855	1142	1997	640	F30	50	2277
	1400	710	1685	1590x36x50	375	830	400	983	975	1252	2227	640	F30	268	3960
	1600	790	1930	1820x40x57	375	830	400	1280	1100	1392	2492	640	F35	268	5170
	1800	870	2130	2020x44x57	375	830	400	1490	1280	1572	2852	640	F40	268	6160
	2000	950	2345	2230x48x62	330	785	440	1590	1390	1750	3140	640	F48	300	10120
2200	1030	2555	2440x52x62	330	785	440	1700	1490	1850	3340	640	F60	300	12650	

PN25	DN	L	D PN25	k x n x d PN25	E	F	e	h	h <sub>1</sub>	h <sub>2</sub>	H	R	ISO 5211	n *	kg PN25
	400	310	620	550x16x37	200	250	85	433	345	550	895	320	F12	28	228
	450	330	685	600x20x37	200	250	85	458	375	560	935	320	F14	28	285
	500	350	730	660x20x37	295	390	145	537	445	680	1125	500	F14	36	415
	600	390	845	770x20x41	295	390	145	597	515	745	1260	500	F16	36	566
	700	430	960	875x24x44	430	540	230	632	525	807	1332	640	F25	50	730
	800	470	1085	990x24x50	430	540	230	750	655	937	1592	640	F25	50	1020

\* n = Handwheel turns ON/OFF

Dimensions PN40



PN40	DN	L	D PN40	k x n x d PN40	E	F	e	h	h <sub>1</sub>	h <sub>2</sub>	H	R	ISO 5211	n *	kg PN25
	400	600	660	585x16x41	200	250	85	433	345	550	895	320	F12	36	600
	450	650	685	610x20x41	200	250	85	458	375	560	935	320	F14	36	680
	500	700	755	670x20x45	295	390	145	537	445	680	1125	500	F14	50	790
	600	800	890	795x20x50	295	390	145	597	515	745	1260	500	F16	50	1210
	700	900	995	900x24x50	430	540	230	632	525	807	1332	640	F25	50	1680
	800	1000	1140	1030x24x57	430	540	230	750	655	937	1592	640	F25	50	2340

**InterApp AG**  
 Grundstrasse 24  
 CH-6343 Rotkreuz  
 Phone +41 (0) 41 7982233  
 Fax +41 (0) 41 7982234  
 info@ch.interapp.net

**InterApp Ges.m.b.H.**  
 Kolpingstrasse 19  
 A-1230 Wien  
 Phone +43 (0) 1 6162371-0  
 Fax +43 (0) 1 6162371-99  
 info@at.interapp.net

**InterApp Italiana**  
 Via Gramsci 29  
 I-20016 Pero (MI)  
 Phone +39 02 339371  
 Fax +39 02 33937200  
 info@it.interapp.net

**InterApp GmbH**  
 Schillerstrasse 50  
 D-42489 Wülfrath  
 Phone +49(2058) 8909250  
 Fax +49(2058) 8909255  
 info@de.interapp.net

**AVK Válvulas S.A.**  
**InterApp Válvulas S.A.**  
 Polígono Industrial Francolí, parcela 27  
 E-46006 Tarragona  
 Phone +34 977 543 008  
 Fax +34 977 541 622  
 avk@avkvalvulas.com

The technical data are noncommittal and do not assure you of any properties. Please refer to our general sales conditions. Modifications without notice.  
 © 2017 InterApp AG, all rights reserved