

FEOV- PVC butterfly valve d50-225 (DN40-200)

Description

Centric PVC butterfly valve with elastomer liner EPDM or Viton® (FPM) for water and harmless fluids to which the material is resistant.

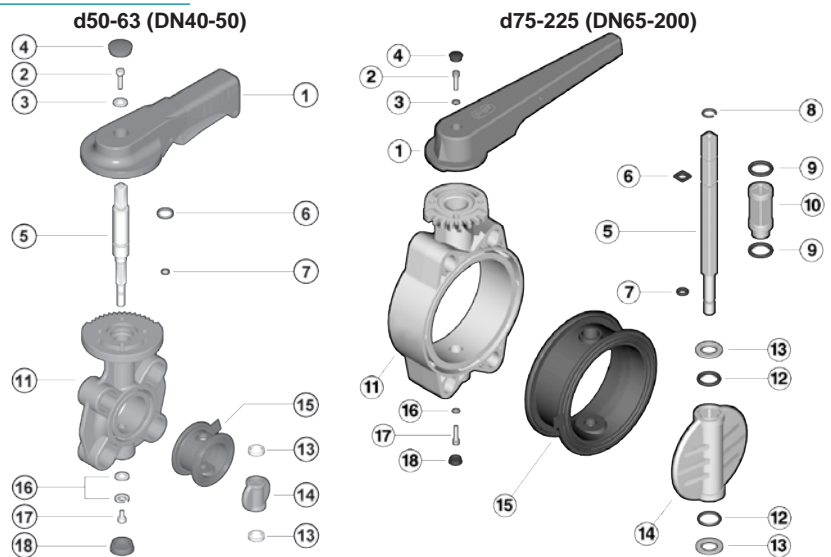
Product features

- **Face to face dimension** according to ISO 5752/25, EN 558/1-25
- **Top flange** according to EN ISO 5211
- **Max. working pressure** DN40-50 16 bar, DN65-200 10 bar,
- **Rating** PN10, PN16, ANSI cl. 150
- **Temperature range** 0°C ÷ 60°C

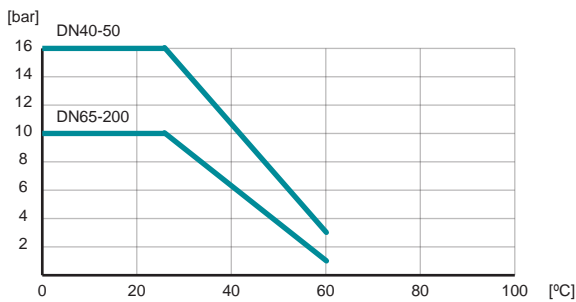


Construction

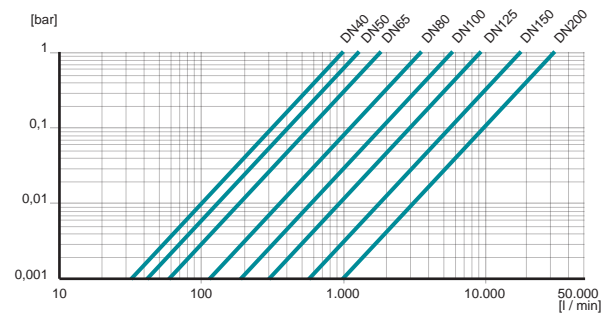
1	Handle	PVC
2	Screw	Stainless steel
3	Washer	Stainless steel
4	Protection cap	PE
5	Shaft	Zincplated steel
6	Shaft O-ring	EPDM or FPM
7	Shaft O-ring	EPDM or FPM
8	Seeger ring	Stainless steel
9	Bush O-ring	EPDM or FPM
10	Bush	Nylon
11	Body	PVC
12	Disc O-ring	EPDM or FPM
13	Anti-friction ring	PTFE
14	Disc	PVC
15	Liner	EPDM or FPM
16	Washer	Stainless steel
17	Screw	Stainless steel
18	Protection cap	PE



Pressure / temperature diagram:



Pressure loss diagram:



kv values:

DN / d	kv [l/min]
40 / 50	1.000
50 / 63	1.285
65 / 75	1.700
80 / 90	3.550
100 / 110	5.900
125 / 140	9.850
150 / 160	18.700
200 / 225	30.500

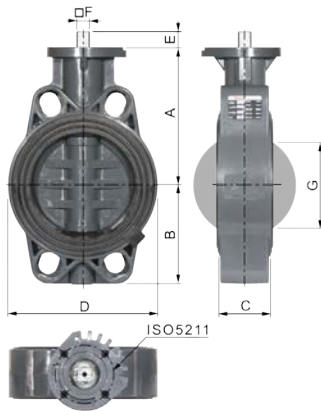


Fluids under control.

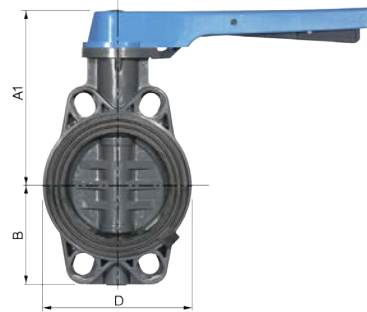
FEOV - PVC butterfly valve d50-225 (DN40-200)

Dimensions

With bare shaft



With hand lever



Before installing the valve it is suggested to check that stubs internal diameter allows the complete disc opening (**note dimension G!**)

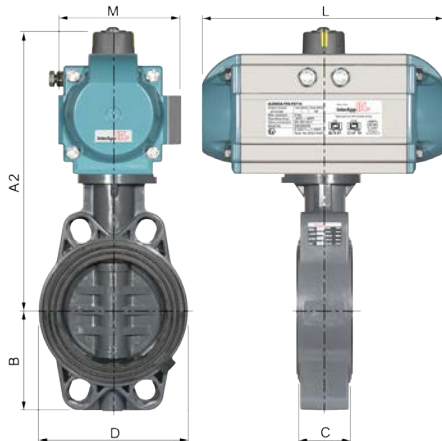
	d	DN	A	A1	B	C	D	E	F	G	L	ISO5211
FEOV 050 03	50	40	106	136	60	33	132	12	11	25	175	F05
FEOV 063 03	63	50	112	143	70	43	147	12	11	28	175	F05
FEOV 075 03	75	65	119	168	80	46	165	12	11	47	250	F05/F07
FEOV 090 03	90	80	133	182	90	49	130	16	14	64	250	F07
FEOV 110 03	110	100	147	196	105	56	150	16	14	84	250	F07
FEOV 125 03*	125	125	167	215	121	64	185	19	17	108	335	F07
FEOV 140 03	140	125	167	215	121	64	185	19	17	108	335	F07
FEOV 160 03	160	150	180	229	132	70	210	19	17	134	335	F07
FEOV 225 03	225	200	227	309	161	71	325	24	22	187	425	F10

Code **03** = with EPDM liner
Code **02** = with Viton® liner

* FEOV 125 is the same as FEOV 140 but with special stubs d125 DN125 to be mounted with flange d140 DN125

With pneumatic actuator

Selection of actuator for 6 bar air supply

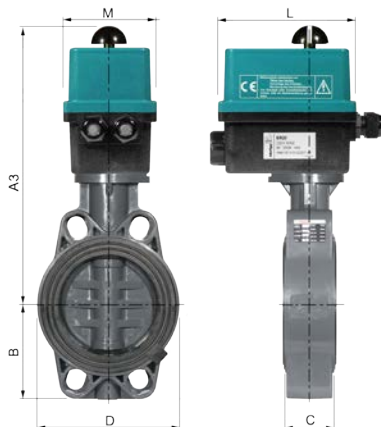


Double acting actuator	d	DN	A2	B	C	D	L	M	[kg]
FEOV 050 03 + IA100D.F05-F0711	50	40	211	60	33	132	154	91,5	2,5
FEOV 063 03 + IA100D.F05-F0711	63	50	217	70	43	147	154	91,5	2,7
FEOV 075 03 + IA100D.F05-F0711	75	65	224	80	46	165	154	91,5	3,1
FEOV 090 03 + IA100D.F05-F0714	90	80	238	90	49	130	154	91,5	3,3
FEOV 110 03 + IA200D.F05-F0714	110	100	269	105	56	150	204	105	4,9
FEOV 125 03 + IA200D.F05-F0717	125	125	289	121	64	185	204	105	5,9
FEOV 140 03 + IA200D.F05-F0717	140	125	289	121	64	185	204	105	5,9
FEOV 160 03 + IA250D.F05-F0717	160	150	315	132	70	210	241	118,5	7,8
FEOV 225 03 + IA300D.F07-F1022	225	200	374	161	71	325	259	130,5	13,8

Single acting actuator	d	DN	A2	B	C	D	L	M	[kg]
FEOV 050 03 + IA100S12.F05-F0711	50	40	211	60	33	132	154	91,5	2,7
FEOV 063 03 + IA100S12.F05-F0711	63	50	217	70	43	147	154	91,5	2,9
FEOV 075 03 + IA200S12.F05-F0714 (R11)	75	65	241	80	46	165	204	105	4,7
FEOV 090 03 + IA200S12.F05-F0714	90	80	255	90	49	130	204	105	4,9
FEOV 110 03 + IA250S12.F05-F0717 (R14)	110	100	282	105	56	150	241	118,5	6,7
FEOV 125 03 + IA300S12.F07-F1017	125	125	314	121	64	185	259	130,5	9,5
FEOV 140 03 + IA300S12.F07-F1017	140	125	314	121	64	185	259	130,5	9,5
FEOV 160 03 + IA350S12.F07-F1017	160	150	355	132	70	210	304	148,5	13,7
FEOV 225 03 + IA450S12.F10-F1227 (R22)	225	200	434	161	71	325	395	182,5	26,2

With electric actuator

230V50Hz, 1 phase, IP65



	d	DN	A3	B	C	D	L	M	[kg]
FEOV 050 03 + ER20-100-240/AC-020-F03-F04-F0511	50	40	253	60	33	132	136	92	2,3
FEOV 063 03 + ER35-100-240/AC-035-F05-F0711	63	50	259	70	43	147	136	92	2,5
FEOV 075 03 + ER35-100-240/AC-035-F05-F0711	75	65	266	80	46	165	136	92	2,9
FEOV 090 03 + ER35-100-240/AC-035-F05-F0714	90	80	280	90	49	130	136	92	3,1
FEOV 110 03 + ER60-100-240/AC-060-F05-F0714	110	100	322	105	56	150	151	128	5,0
FEOV 125 03 + ER100-100-240/AC-100-F05-F0717	125	125	342	121	64	185	151	128	6,0
FEOV 140 03 + ER100-100-240/AC-100-F05-F0717	140	125	342	121	64	185	151	128	6,0

Other tensions on request

InterApp AG
Grundstrasse 24
CH-6343 Rotkreuz
Phone +41 (0) 41 7982233
Fax +41 (0) 41 7982234
info@ch.interapp.net

InterApp Ges.m.b.H.
Kolpingstrasse 19
A-1230 Wien
Phone +43 (0) 1 6162371-0
Fax +43 (0) 1 6162371-99
info@at.interapp.net

InterApp Italiana
Via Gramsci 29
I-20016 Pero (MI)
Phone +39 02 339371
Fax +39 02 33937200
info@it.interapp.net

InterApp GmbH
Schillerstrasse 50
D-42489 Wülfrath
Phone +49(2058) 8909250
Fax +49(2058) 8909255
info@de.interapp.net

AVK Válvulas S.A.
InterApp Válvulas S.A.
Poligono Industrial Francoli, parcela 27
E-46006 Tarragona
Phone +34 977 543 008
Fax +34 977 541 622
avk@avkvalvulas.com