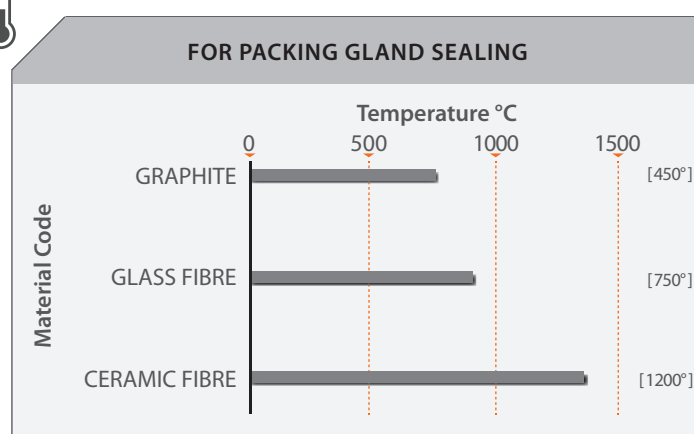
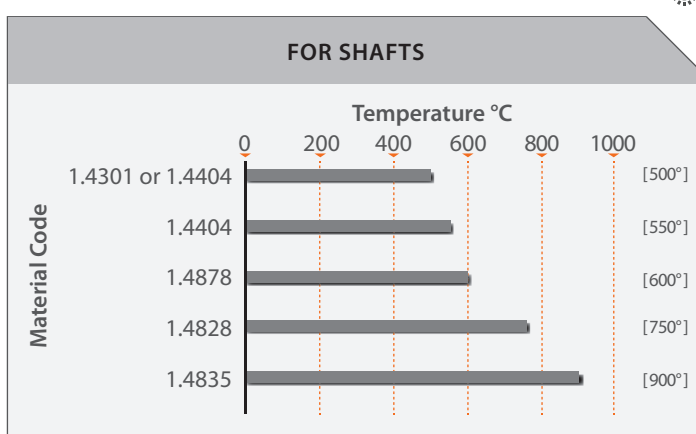
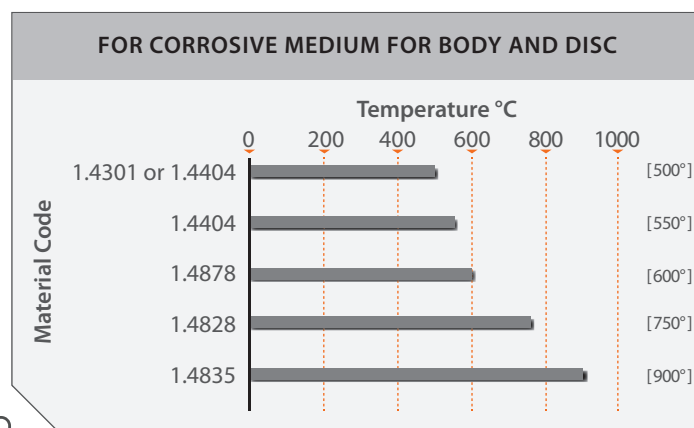
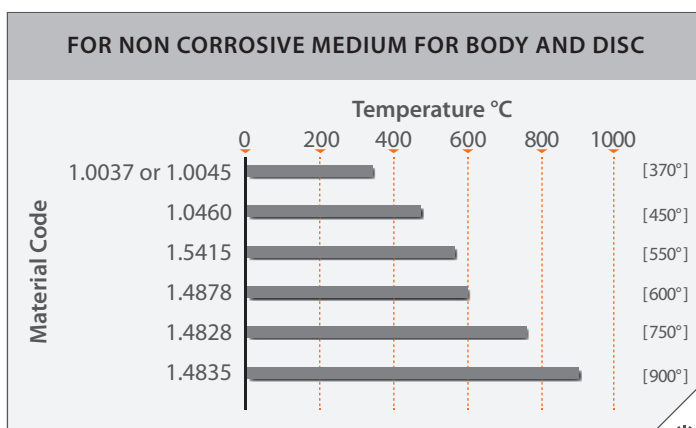


**Standard execution of materials****Special execution of materials**

Final material set of execution depends on specific medium, working conditions and on-site or customer requirements.

For special high abrasive working conditions wear plates can be applied or a dedicated cold flame spraying coating for parts inside the body according to customer requirements.

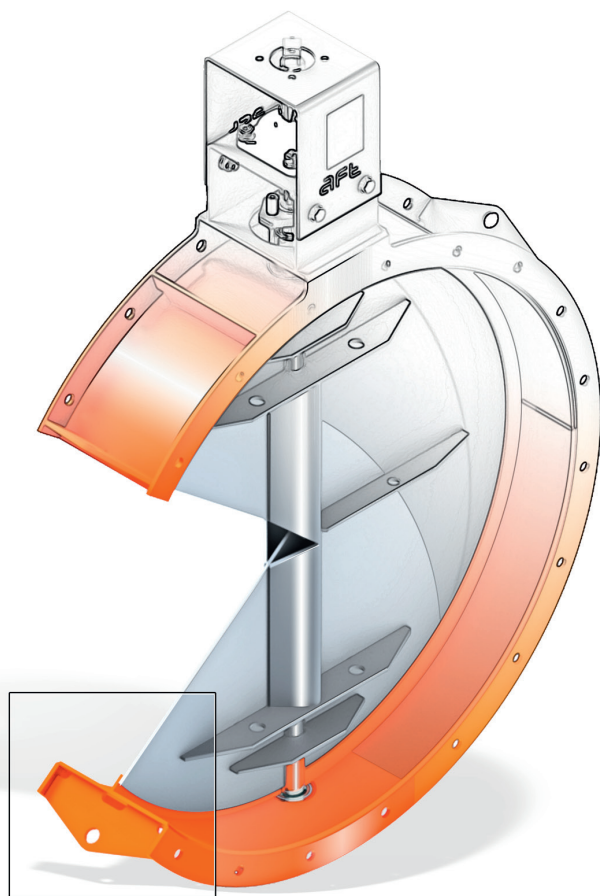
For special high temperature executions ceramic lining or concrete lining inside the body could be applied according to customer requirements.

Our damper valves are always tailor made acc. to project and/or customer requirements. Other than mentioned materials, sizes, drilling patterns, nominal diameters, temperatures or pressures are available on request.

STANDARD TYPE OF FASTENERS					
	Fe/Zn	tZn	A2	A4	A5
Material Code	Galvanized	Hot Dip Galvanized	1.4301	1.4404	1.4571
Working Conditions	non corrosive medium	partly corrosive medium	corrosive medium	highly corrosive medium	highly corrosive medium

**Special execution of fasteners**

Final material for fasteners depends on specific medium, working conditions and on-site or customer requirements. For special high corrosive atmosphere and working medium every other special steels, such as Super Duplex, Alloys or other can be applied according to customer requirements.



**Sealing type description**

- **No seal:** simplest design for application that do not require high tightness
- **Metal-metal:** metal limiter-disc sealing suitable for most industrial applications inclusive heavily polluted medium or high temperature.
- **Soft and fiberglass tape seal:** seals with increased tightness. Used with relatively unpolluted medium of any temperature range.
- **Flexible lamellas seal:** made from high-alloy steel with high elasticity, high anti-corrosive properties and high temperature resistance to achieve highest tightness. Applicable also for high aggressive medium.
- **Flexible profile seal:** made from high-alloy steel. Used in large constructions and tandem dampers with sealing air system. Up to 100% tightness and safety shut-off from duct to execute safe work.

DISC SEALING TYPES										
	Geometrical tightness [%]									
	92	93	94	95	96	97	98	99	100	
NO SEAL	[95%]									
METAL-METAL	[98%]									
SOFT SEAL	[99%]									
GLASS FIBRE	[99%]									
FLEXIBLE LAMELLAS	[99,7%]									
FLEXIBLE PROFILES [with sealing air]	[100%]									
Geometrical tightness [%]	no seal	metal - metal	soft seal	glass fibre	flexible lamellas	flexible profiles				
	>95%	>98%	>99%	>99%	>99.7%	100%				
FCI 70-2 value [class/Kvs]	class I relative tightness	class I/II <0.5% Kvs	class II/III <0.5% Kvs	class III <0.1% Kvs	class III/IV <0.05% Kvs	class IV <0.01% Kvs				